

**ZhiSENSOR**

**Xi'an ZhiSENSOR Technologies Co., Ltd.**

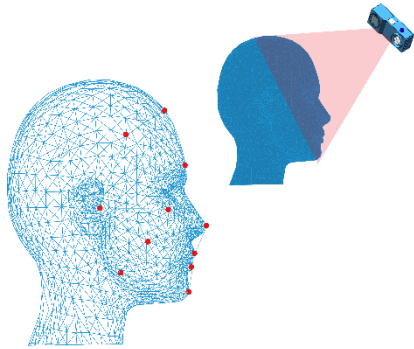
## 3D Camera specification sheet



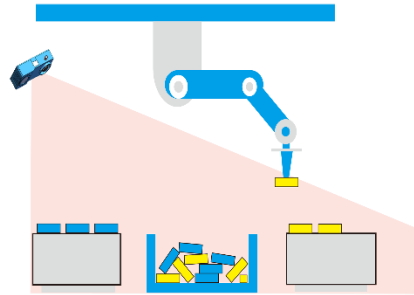
Argus100 is a highly integrated 3D camera with the advantages of high precision and large depth of field. The 3D camera was developed by Xi'an ZhiSENSOR technology co., Ltd. independently.



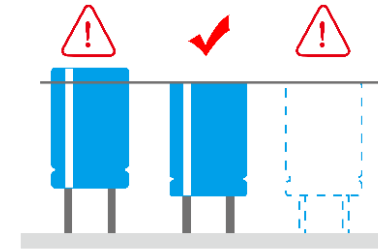
## Applications



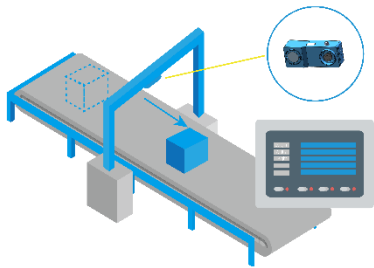
3D face recognition



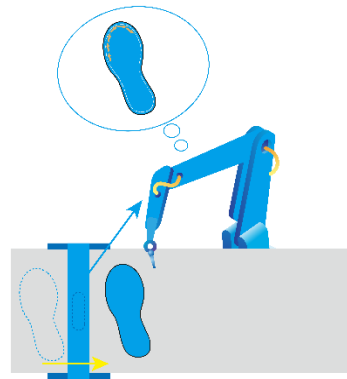
Bin-picking



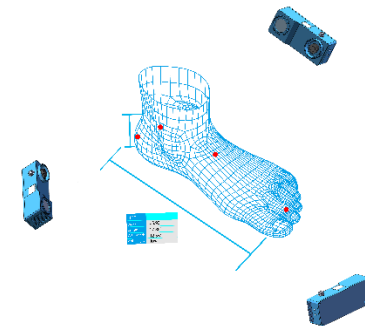
Completeness check



Logistics/Warehousing

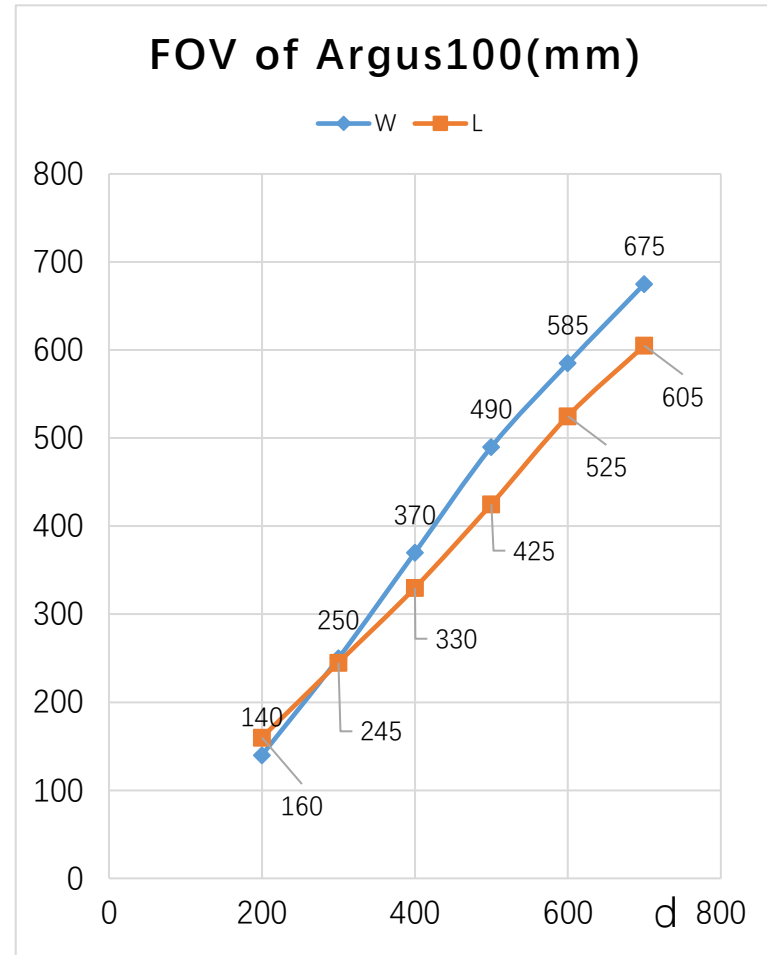
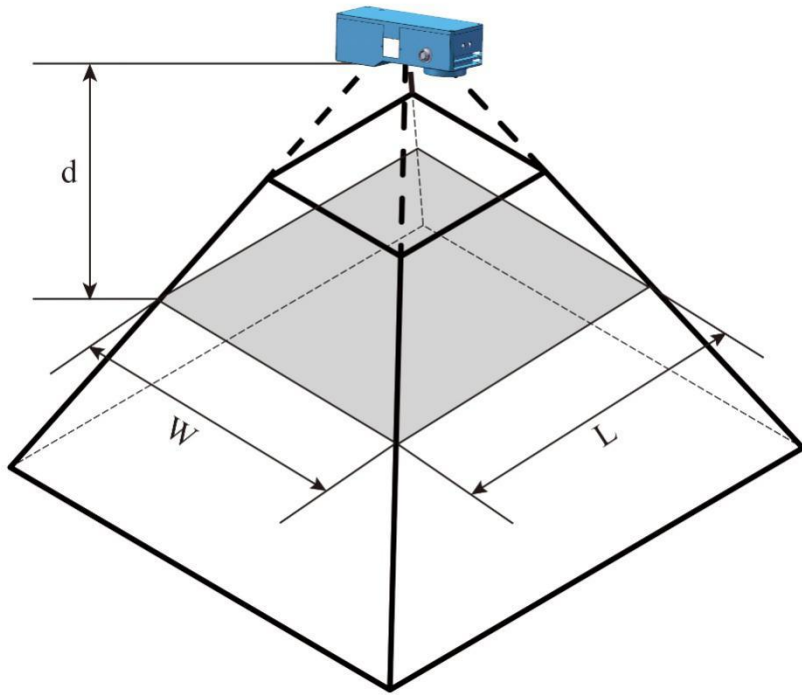


Trajectory correction

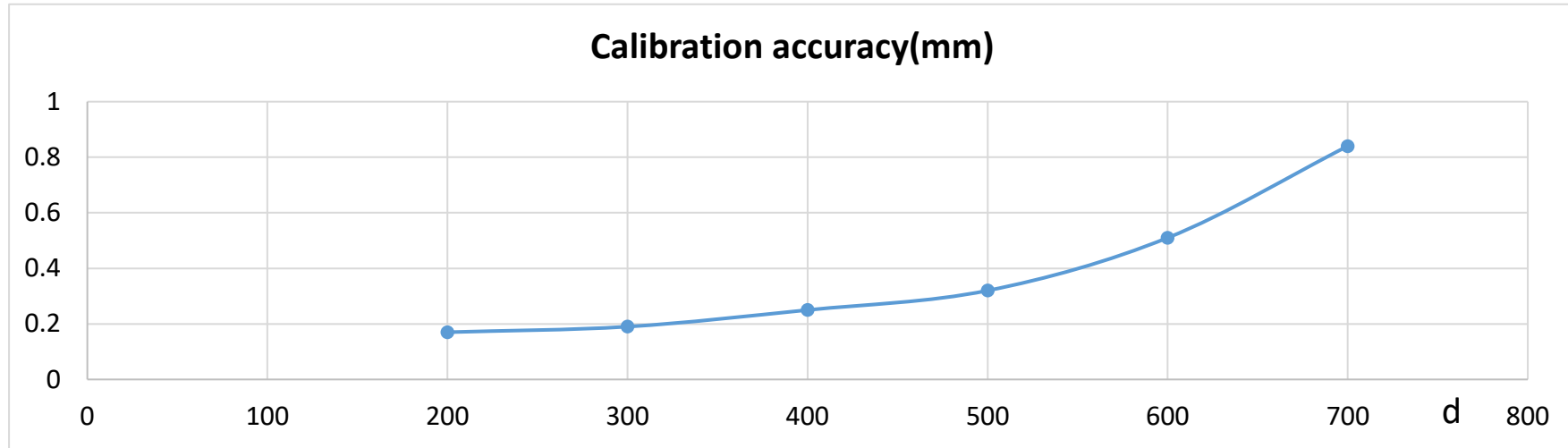


3D modelling

## FOV and Parameters



## FOV and Parameters

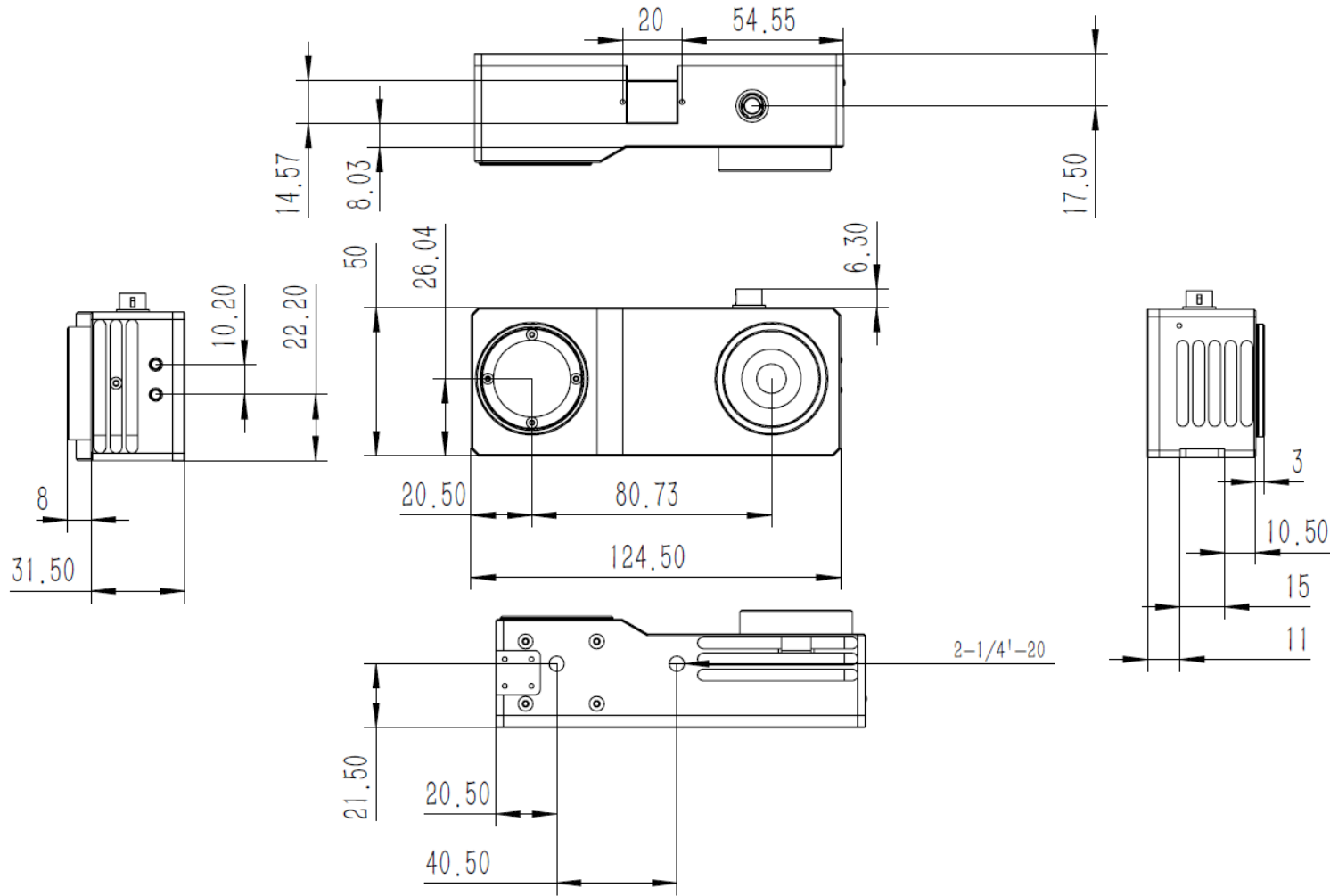


<b>Resolution</b>	<b>1280×1024</b>	<b>Data format</b>	<b>PCD</b>
<b>Frame rate</b>	<b>2.5Hz</b>	<b>SDK</b>	<b>Windows,Linux</b>
<b>Data interface</b>	<b>GigE</b>	<b>Power</b>	<b>12v</b>

# 3D Camera specification sheet



## Dimension(mm)



## Components



**Argus100**



**Adapter**



**Gigabit Ethernet cable**

## Order Information

**Tel: +86-029-81120961**

**URL: [www.zhisensor.com](http://www.zhisensor.com)**

**E-mail: [info@zhisensor.com](mailto:info@zhisensor.com)**