

ZhiSENSOR

Xi'an ZhiSENSOR Technologies Co., Ltd.

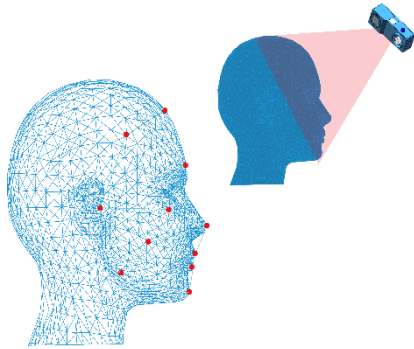
3D Camera specification sheet



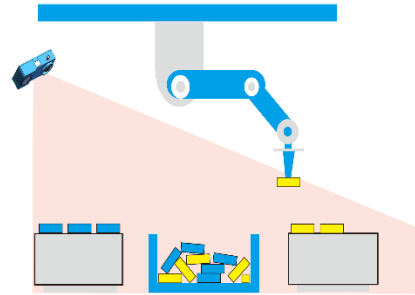
Argus100L is a highly integrated 3D camera with the advantages of high precision and large depth of field. The 3D camera was developed by Xi'an ZhiSENSOR technologies Co., Ltd. independently.



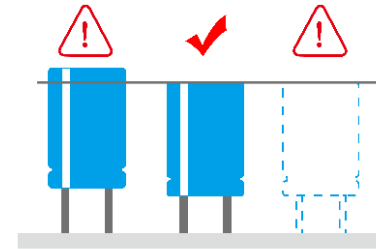
Applications



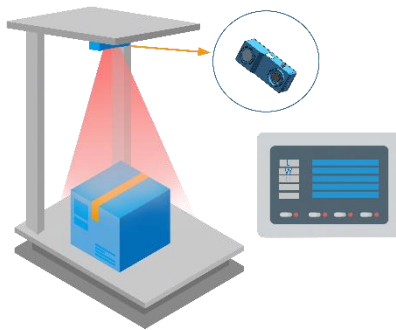
3D face recognition



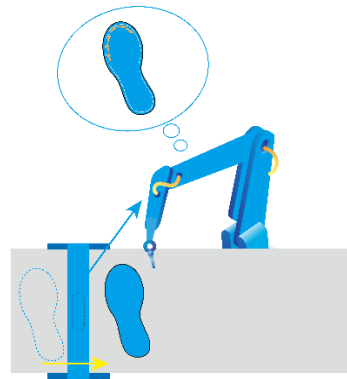
Bin-picking



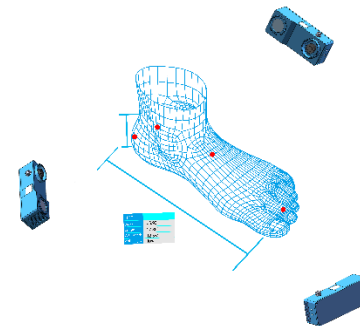
Completeness check



Logistics/Warehousing

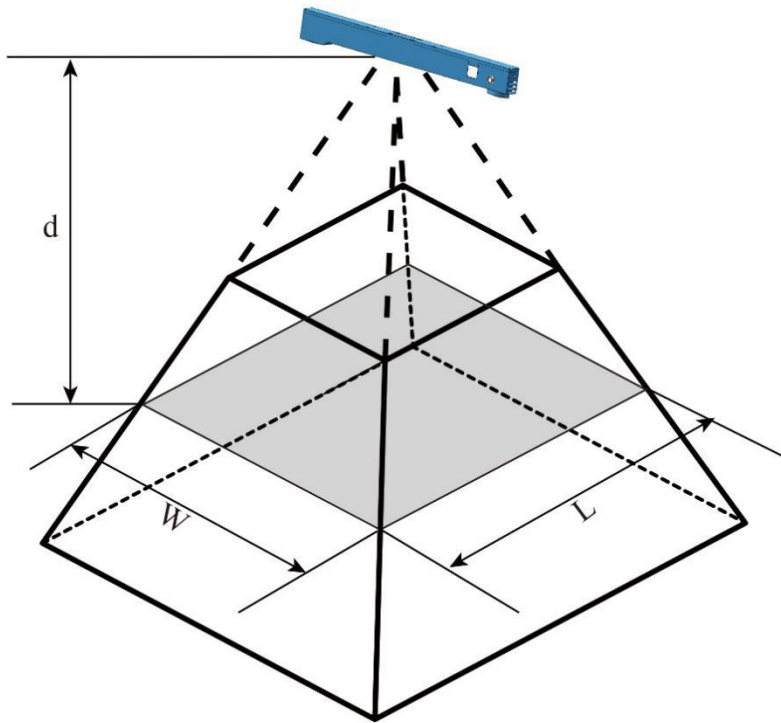


Trajectory correction

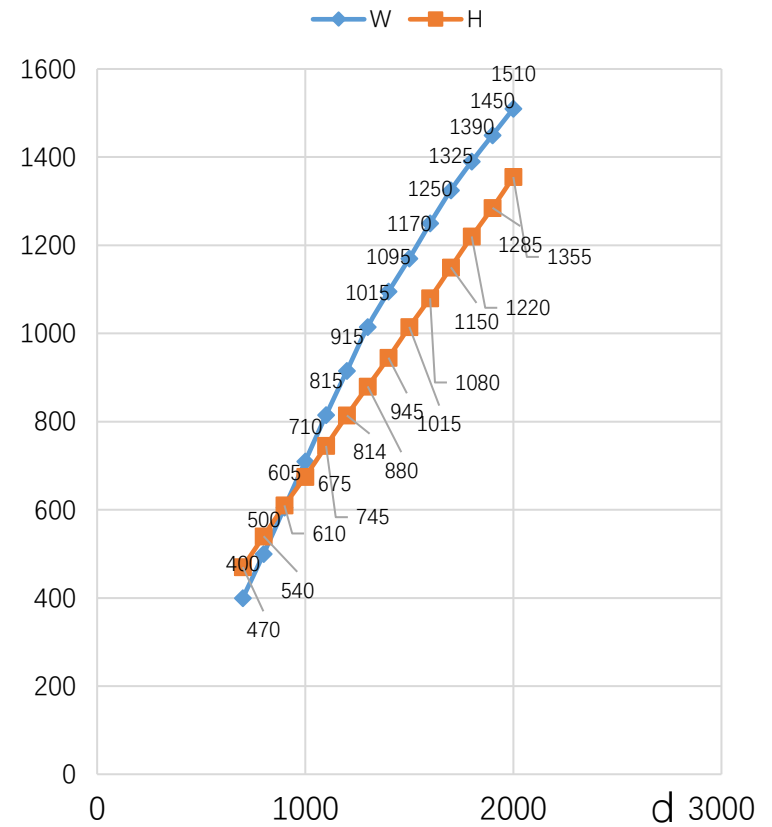


3D modelling

FOV and Parameters

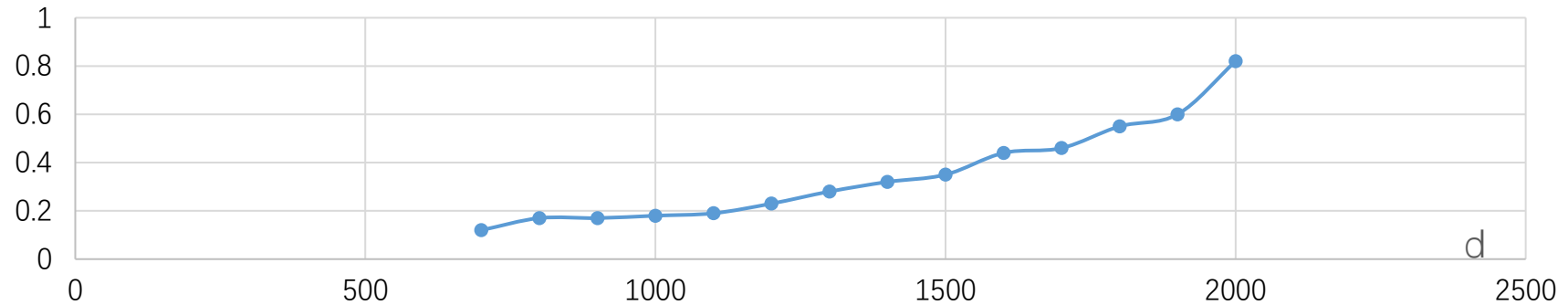


FOV of Argus100L (mm)



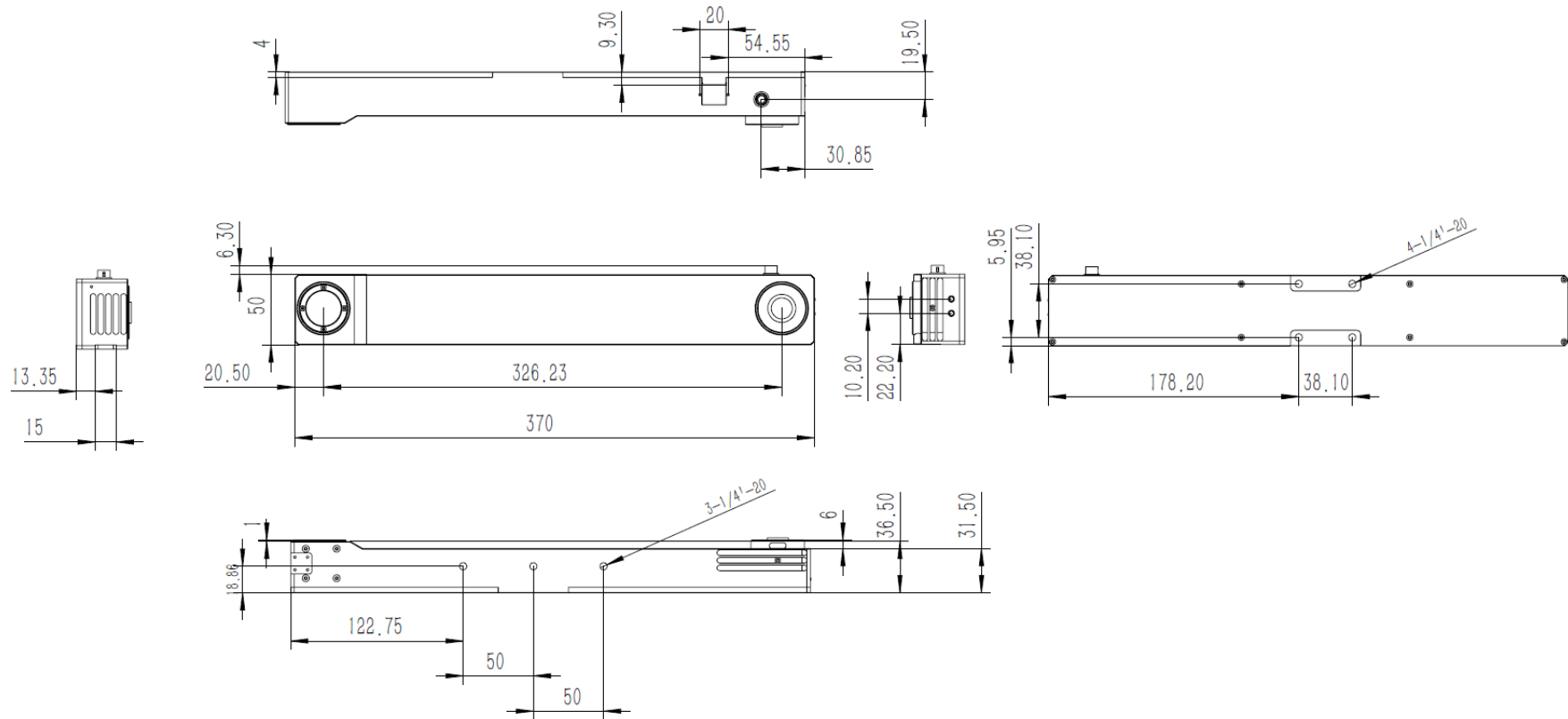
FOV and Parameters

Calibration accuracy(mm)



Resolution	1280×1024	Data format	PCD
Frame rate	2.5Hz	SDK	Windows,Linux
Data interface	GigE	Power consumption	< 700mA@12v

Dimension(mm)



Components



Argus100L



Adapter



Gigabit Ethernet cable

Order Information

Tel: +86-029-81120961

URL: www.zhisensor.com

E-mail: info@zhisensor.com