

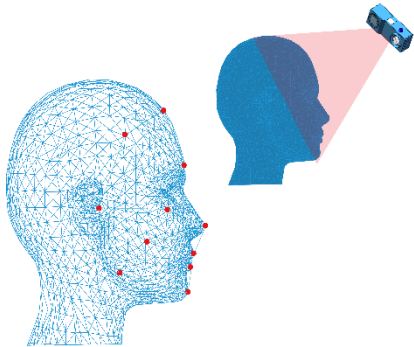
ZhiSENSOR

Xi'an ZhiSENSOR Technologies Co., Ltd.

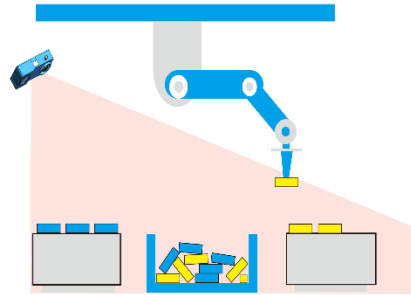
Argus120 is a highly integrated 3D camera with the advantages of high precision and large depth of field. The 3D camera was developed by Xi'an ZhiSENSOR technologies Co., Ltd. independently.



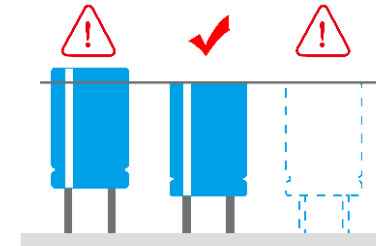
Applications



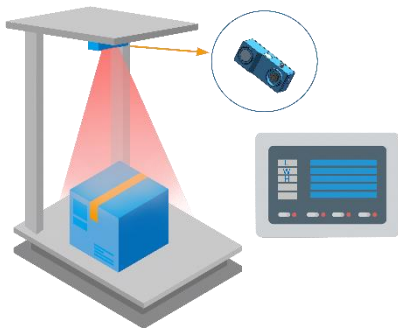
3D face recognition



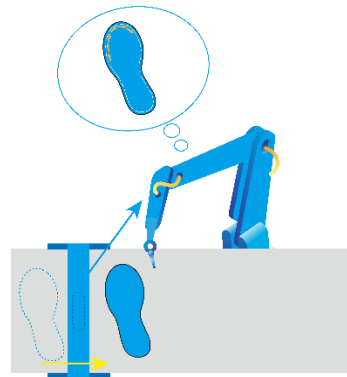
Bin-picking



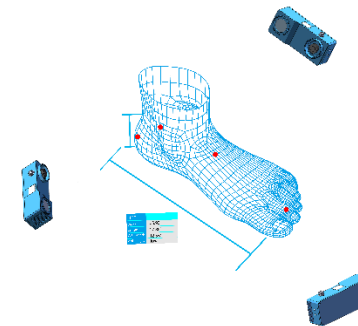
Completeness check



Logistics/Warehousing

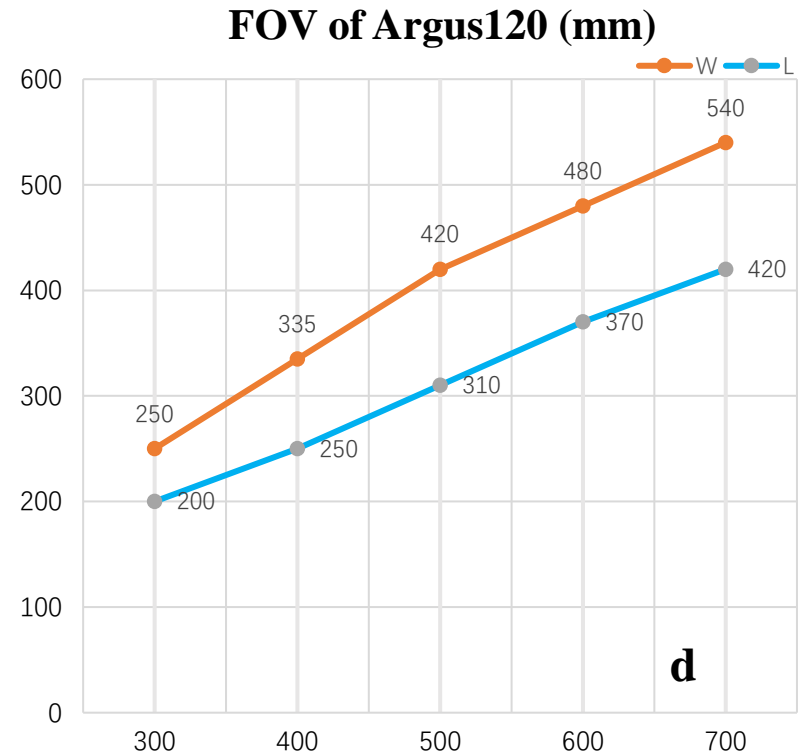
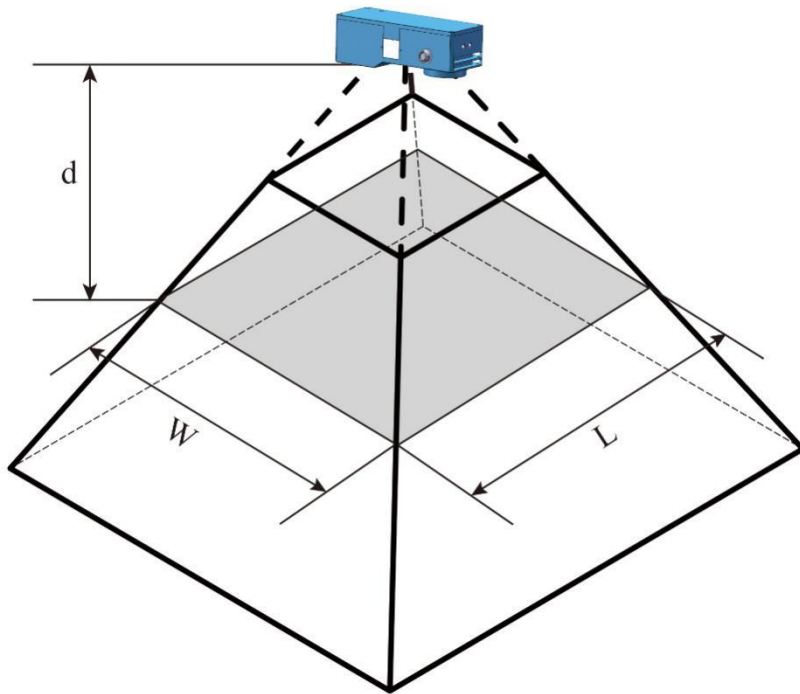


Trajectory correction



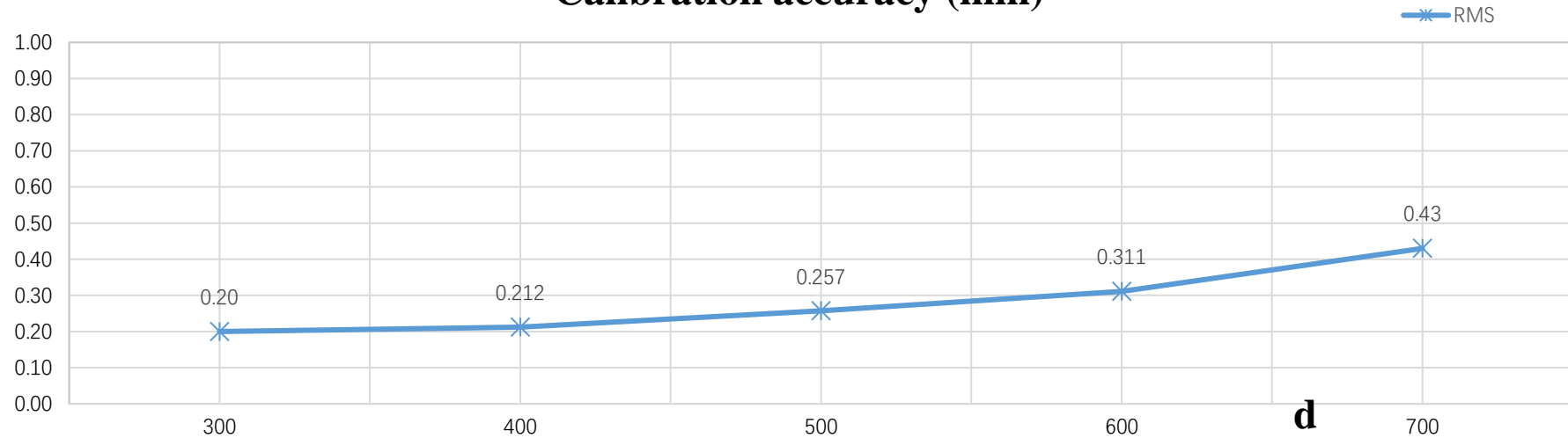
3D modelling

FOV and Parameters



FOV and Parameters

Calibration accuracy (mm)

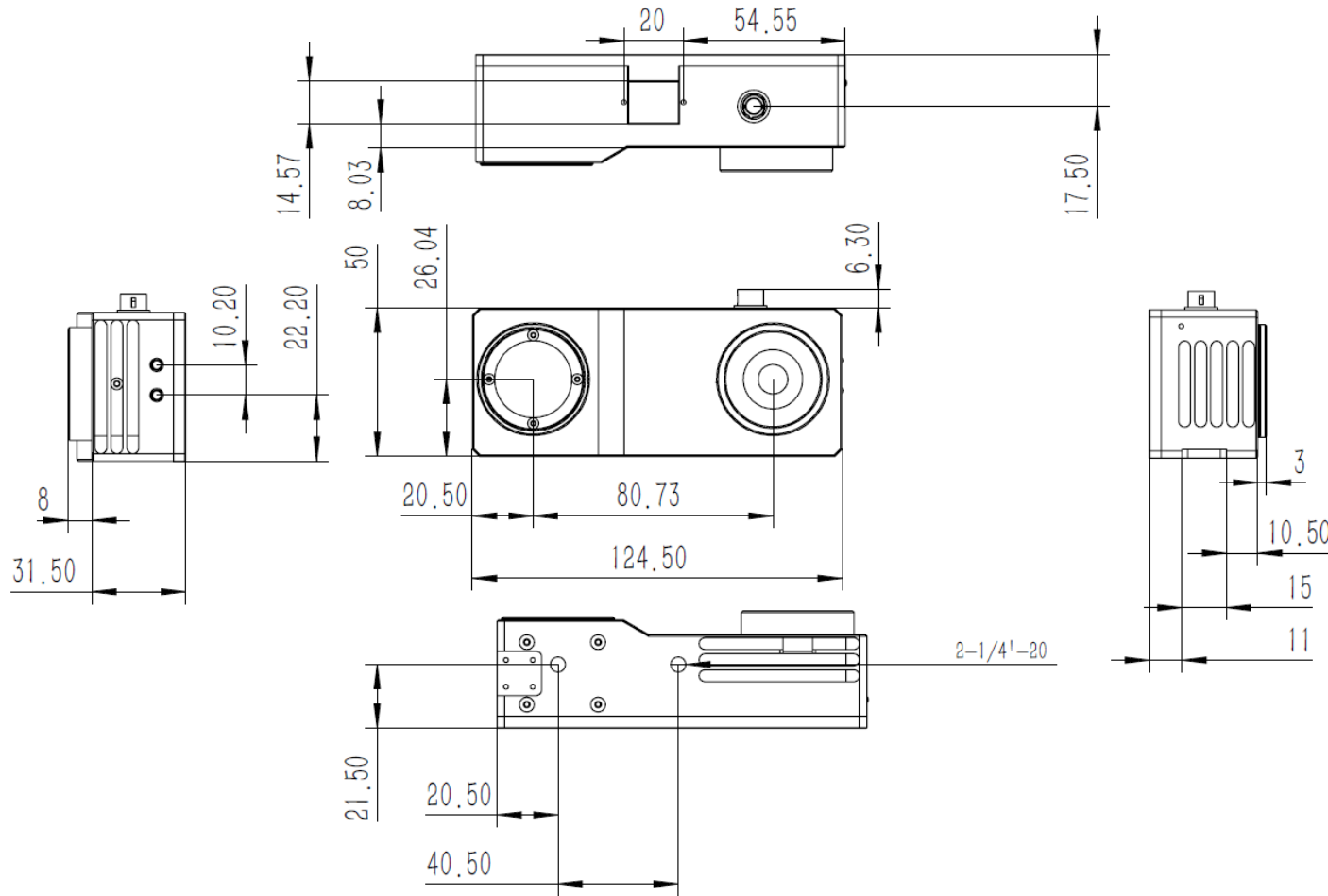


| | | | |
|-----------------------|----------------|--------------------|-----------------------|
| Resolution | 640×480 | Data format | PCD |
| Frame rate | ≤15Hz | SDK | Windows, Linux |
| Data interface | GigE | Power | 12v |

3D Camera specification sheet



Dimension(mm)



Components



Argus120



Adapter



Gigabit Ethernet cable

Order Information

Tel: +86-029-81120961

URL: www.zhisensor.com

E-mail: info@zhisensor.com